

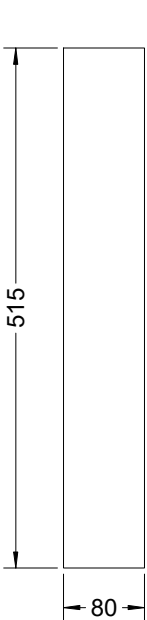
Dwg. SA8.0.1.01

Model SA8.0
Version 1.0
2018-April-20

C Pemberton-Pigott

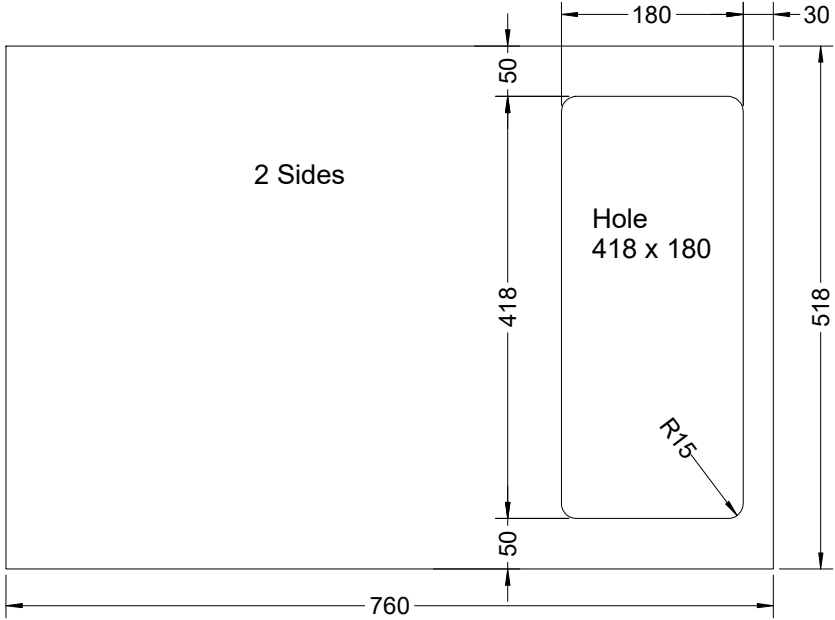
Sheet Metal 1

Material: 3mm mild steel sheet



2 Side Closers

A

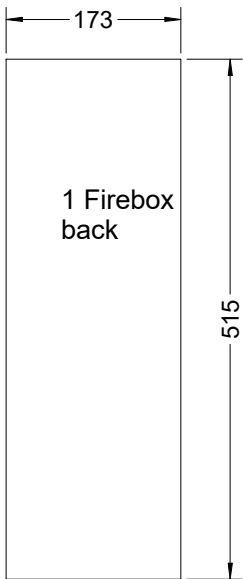


2 Sides

Hole
418 x 180

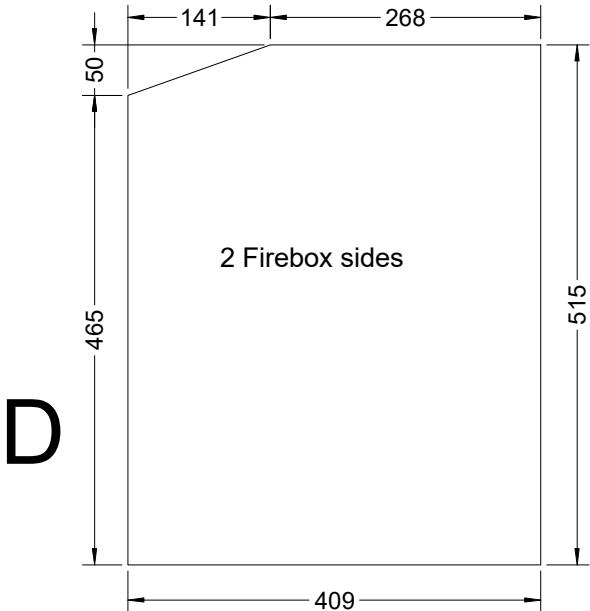
R15

B



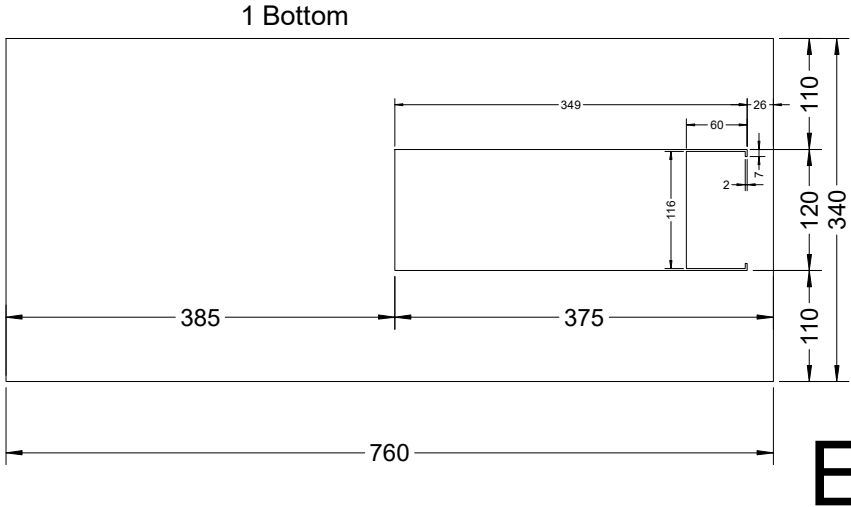
1 Firebox back

C



2 Firebox sides

D



1 Bottom

E