

FRONT ASH DRAWER

Cut and bend

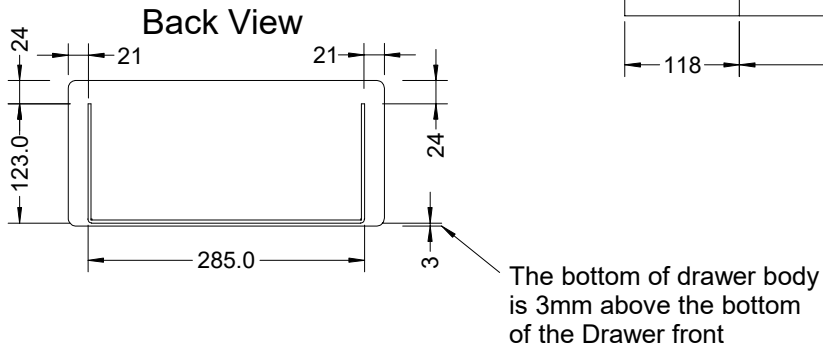
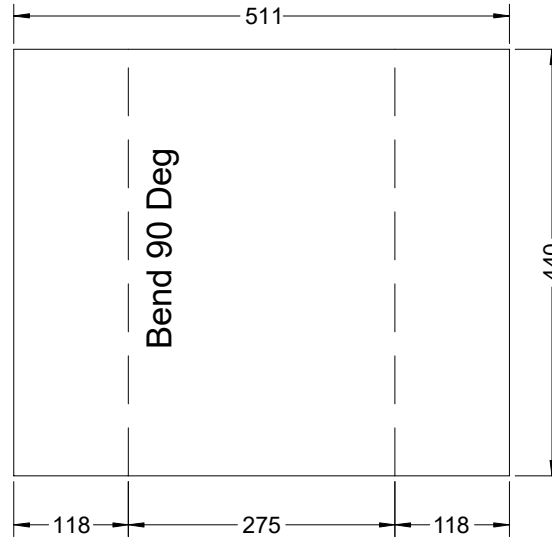
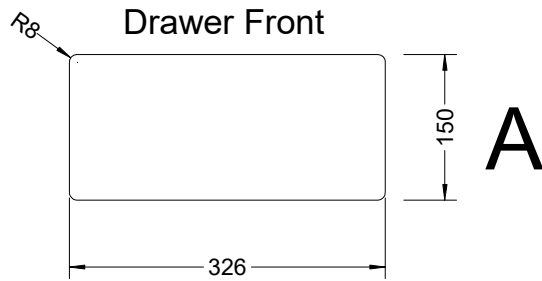
B

Dwg. SA8.0.1.04

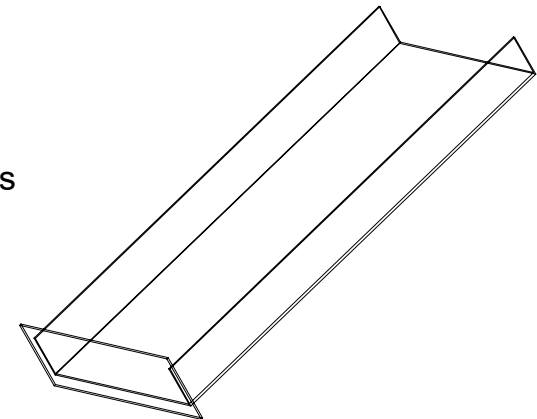
Cut and Bend

Model SA8.0
Version 1.0
2018-April-20

C Pemberton-Pigott

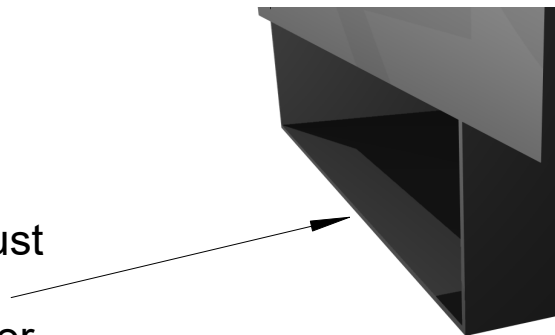


Outside dimensions
443 x 285 x 123
(plus the handle)



****Important****

The Ash Drawer Housing must be mounted so the open end is flush with the end of the stove body, not recessed. The drawer front must completely close air gaps so no air can enter around the ash drawer.



Add any suitable handle