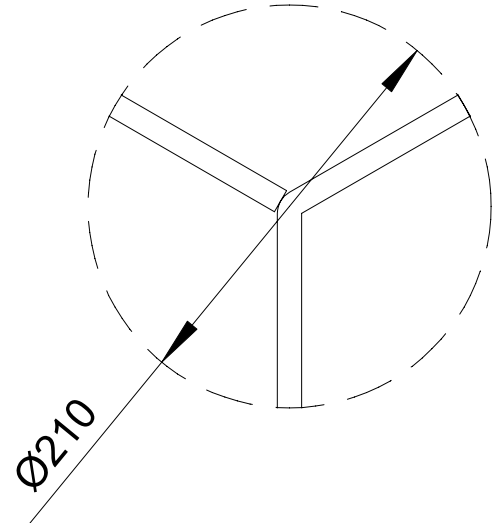
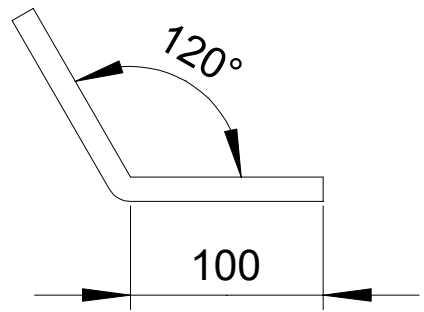
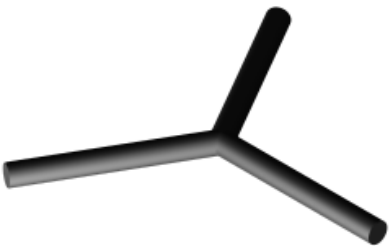


Length to suit the inside diameter of the pipe



Drawing No.  
TJ3B-1.1-04

Otaş Amudī  
Оташ Амудї  
Vertical Fire

Model 3B  
Version 1.1  
8 Oct 2016

# Grate Support

Materials:  
12.7m round bar

© C Pemberton-Pigott 2016