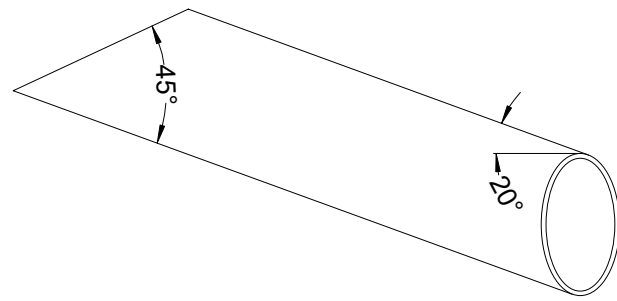
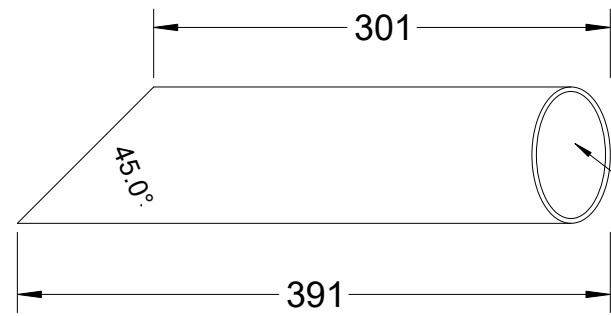
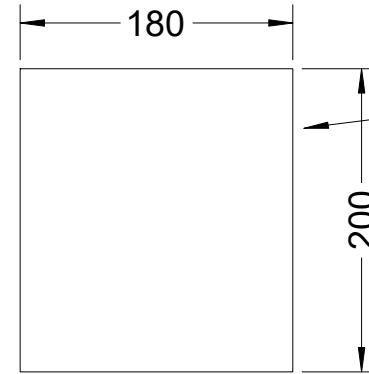


Flame Tube



Looking at the 55 deg cut
the axis is rotated 35.5 deg
anti-clockwise



2 x Corrosion Plates ≥ 3 mm
Weld into the top corner
to protect the End Plate

Ak Jilu
ак жылу
Model 2.5 A and B
Version 1.5
2018-03-20

C Pemberton-Pigott

Dwg. KG2.5-1.5-15

Heat Exchanger

