

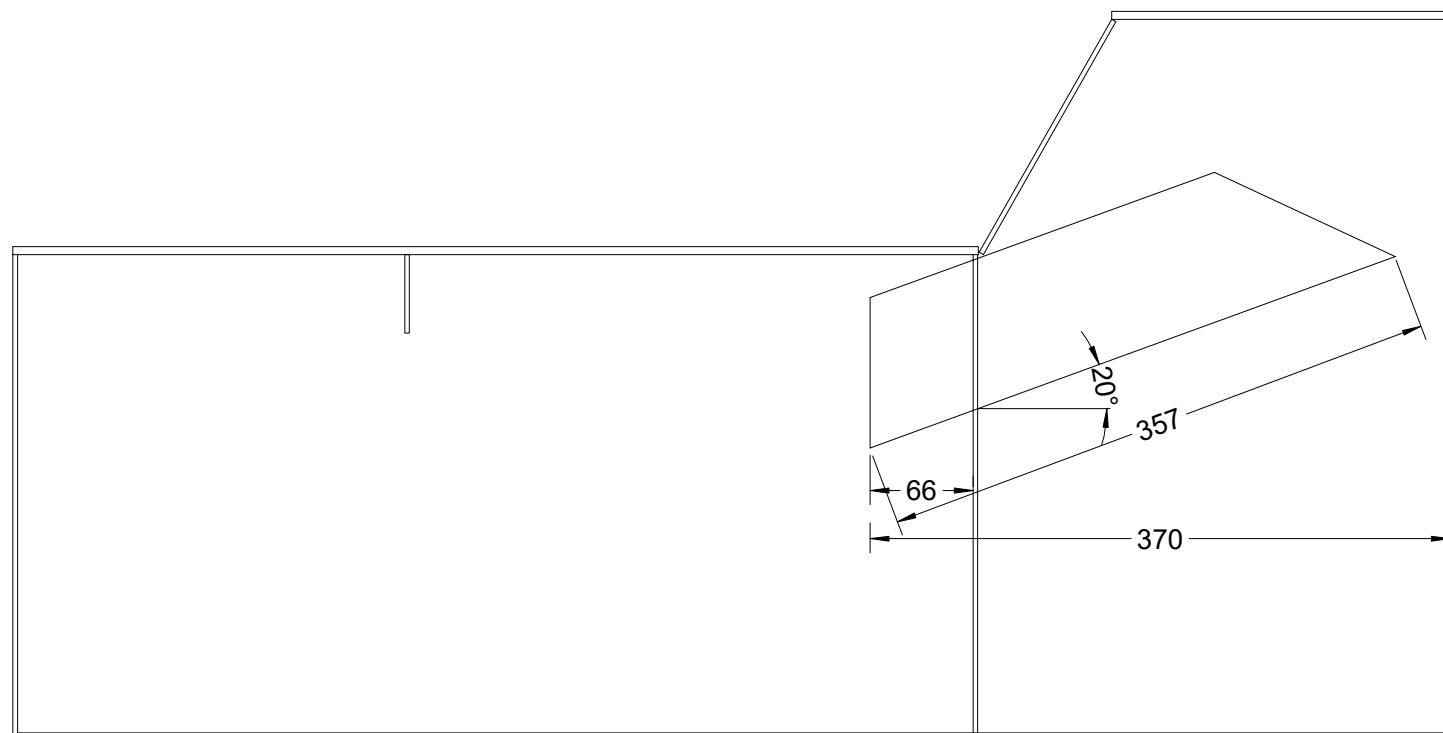
Point the 70mm hole towards the corner so the gas path is as short as possible. The hole is used during ignition to heat the chimney

Draft Tube

Ak Jilu
 ак жылу
 Model 2.5 A and B
 Version 1.5
 2018-03-20

C Pemberton-Pigott

Dwg. KG2.5-1.5-16



End Plate

Draft Tube and Flame
 Tube Orientation