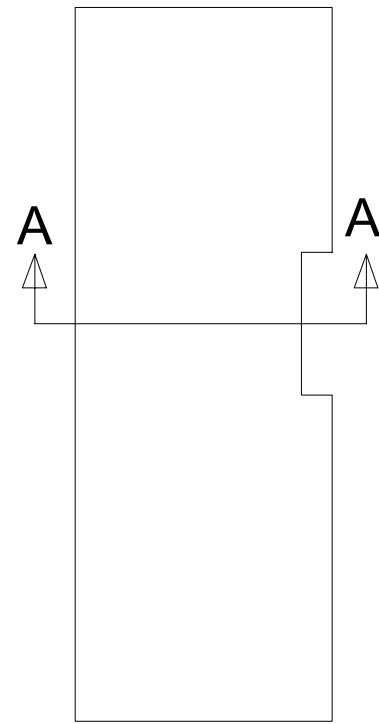
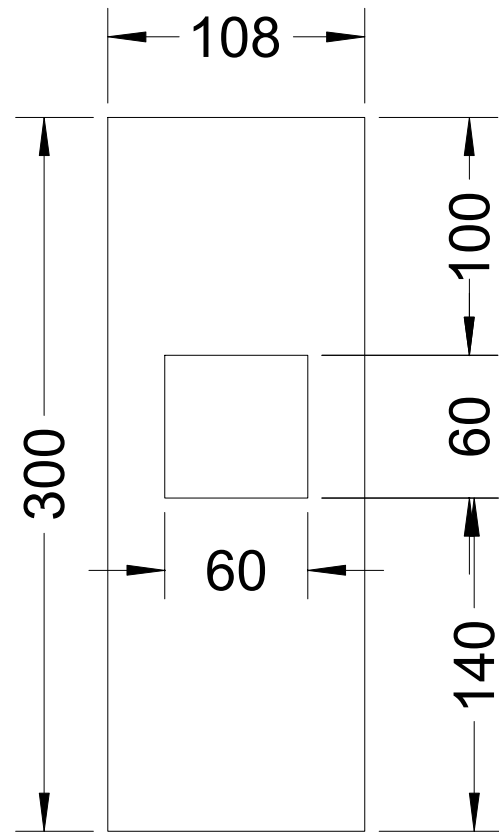


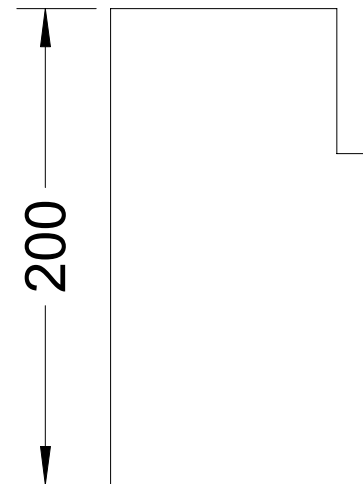
Made from one tube



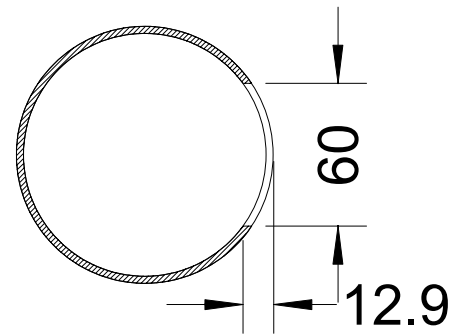
Optional:
Make two parts



Chimney
connector
on top



Draft tube
Weld under the
chimney connector



Section A-A

Ak Jilu

ак жылу

Model 2 A and B

Version 1.4

2016-10-08

C Pemberton-Pigott

Dwg. KG2-1.4-08

Chimney Connector