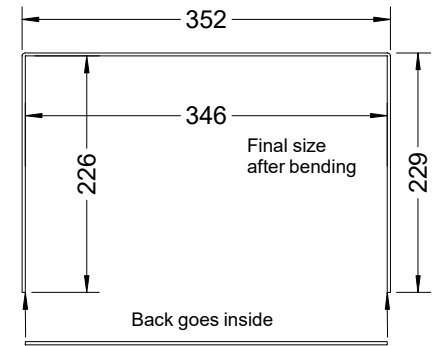


Model 5A  
Version 1.2  
10 Nov 2016

C Pemberton-Pigott



Heat exchanger  
Outer Shell  
If bending...

KG5.1-v1.2-03 Outer Shell If Bending