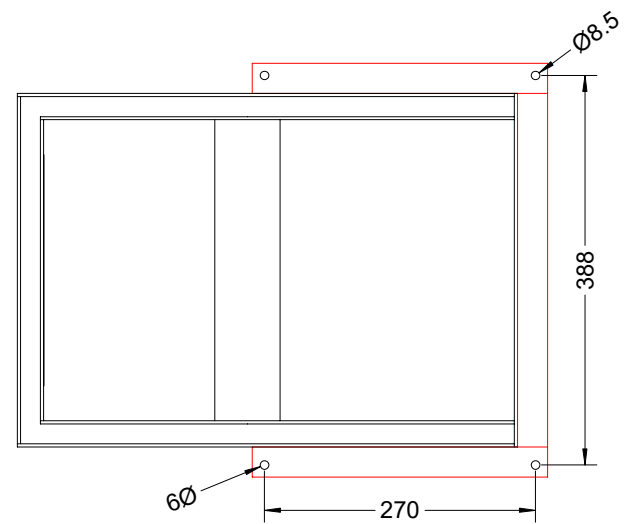
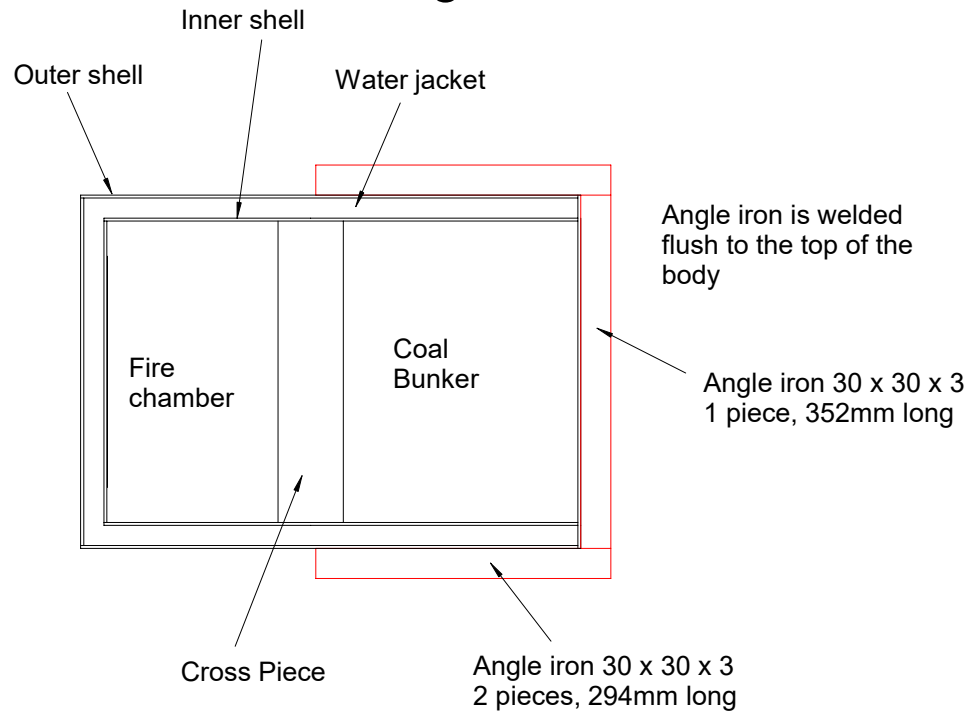


Angle Iron

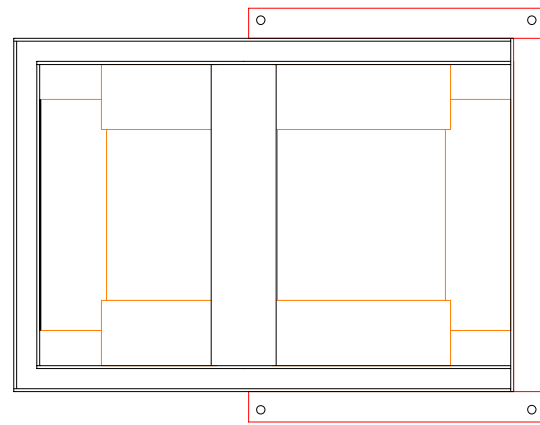
KG5.1-v1.2-11 Angle Iron

Model KG5
Version 1.2
10 Nov 2016

C Pemberton-Pigott



View with Angle Iron in place



View with bricks in place