

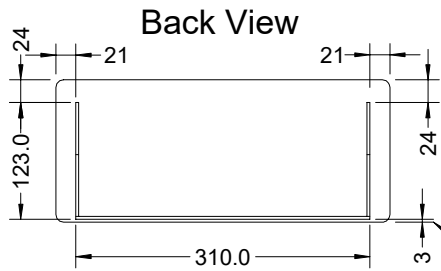
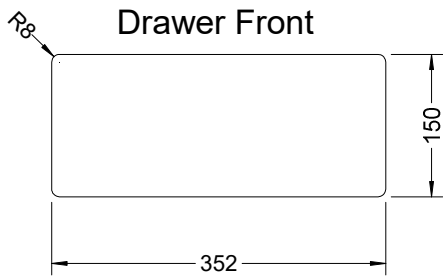
FRONT ASH DRAWER

End Cap
Goes inside the end
of the housing

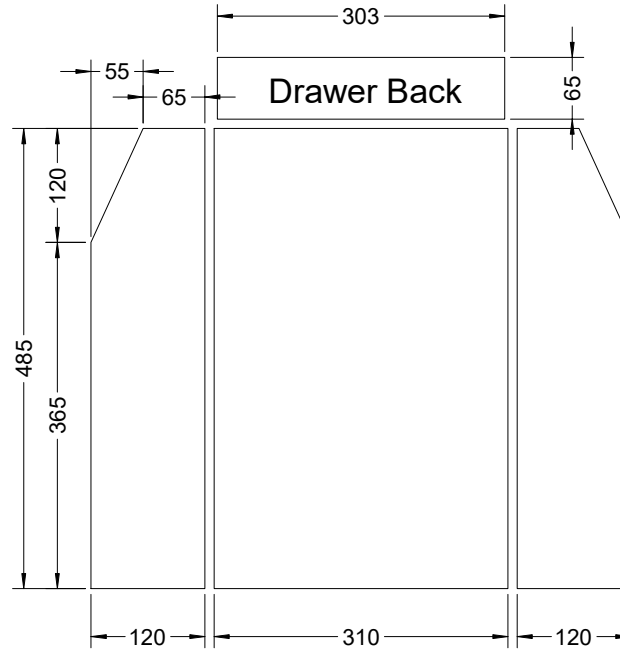
KG5.2-v1.2-09 Front Ash Drawer

Model 5.2
Version 1.2
17 Nov 2017

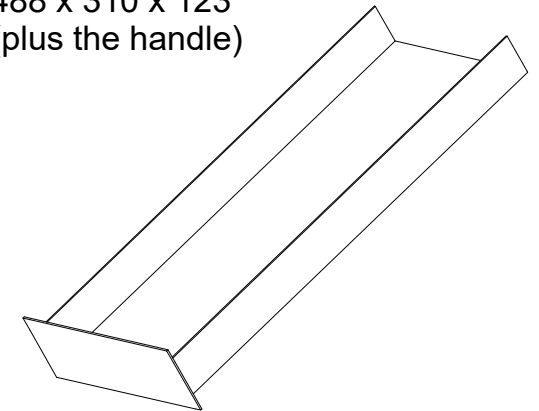
C Pemberton-Pigott



The bottom of drawer body
is 3mm above the bottom
of the Drawer front



Outside dimensions
488 x 310 x 123
(plus the handle)



Add any suitable
handle

Important

The Ash Drawer Housing must be mounted so the open end is flush with the end of the stove body, not recessed. The drawer front must completely close air gaps so no air can enter around the ash drawer.

