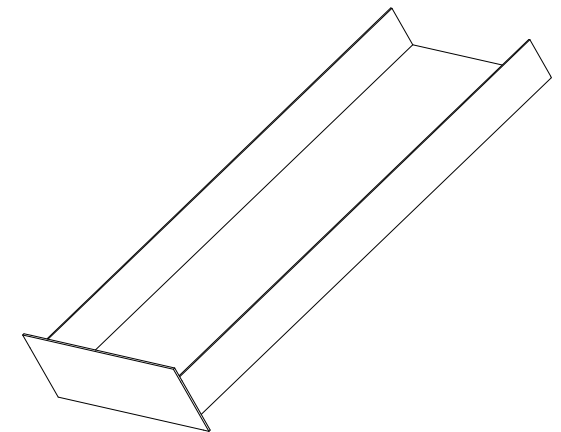
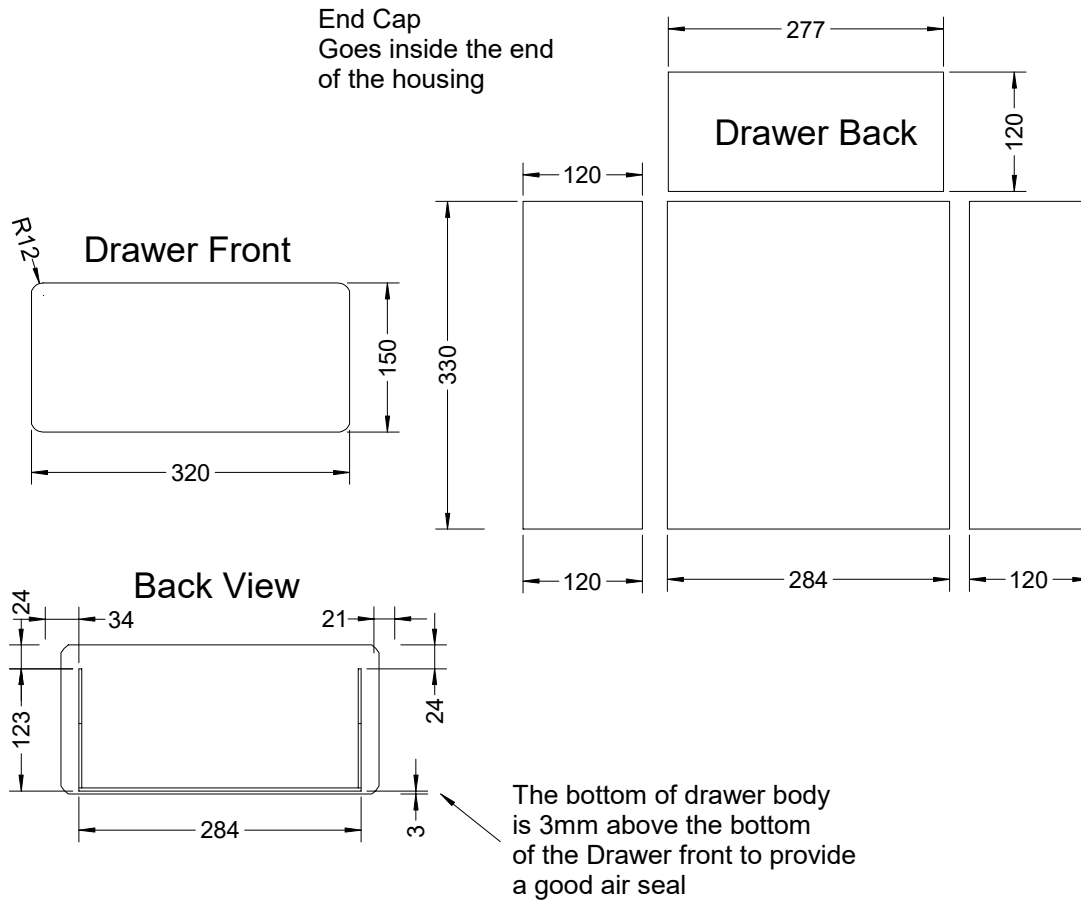


Rear Ash Drawer

KG5.2-v1.2-11 Rear Ash Drawer

Model KG5.2
Version 1.2
17 Nov 2017

C Pemberton-Pigott



Add any suitable
handle

Outside body dimensions
333 x 277 x 123
(333 plus the handle)

****Important****

The Ash Drawer Housing must be mounted so the open end is flush with the end of the stove body, not recessed. The drawer front must completely close air gaps so no air can enter around the ash drawer.

