

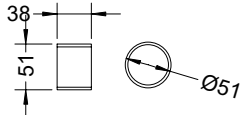
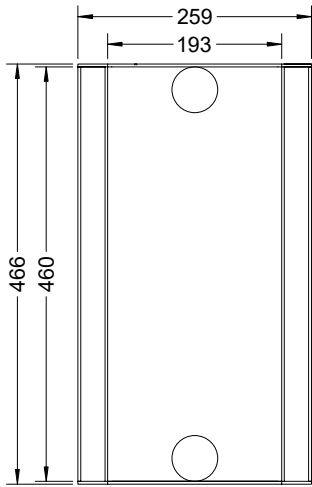
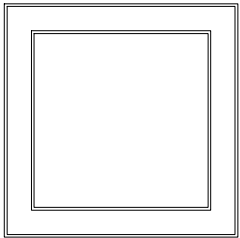
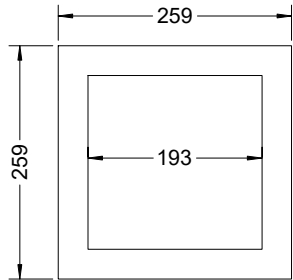
# Heat Exchanger

Model KG5.2  
Version 1.2  
17 Nov 2017

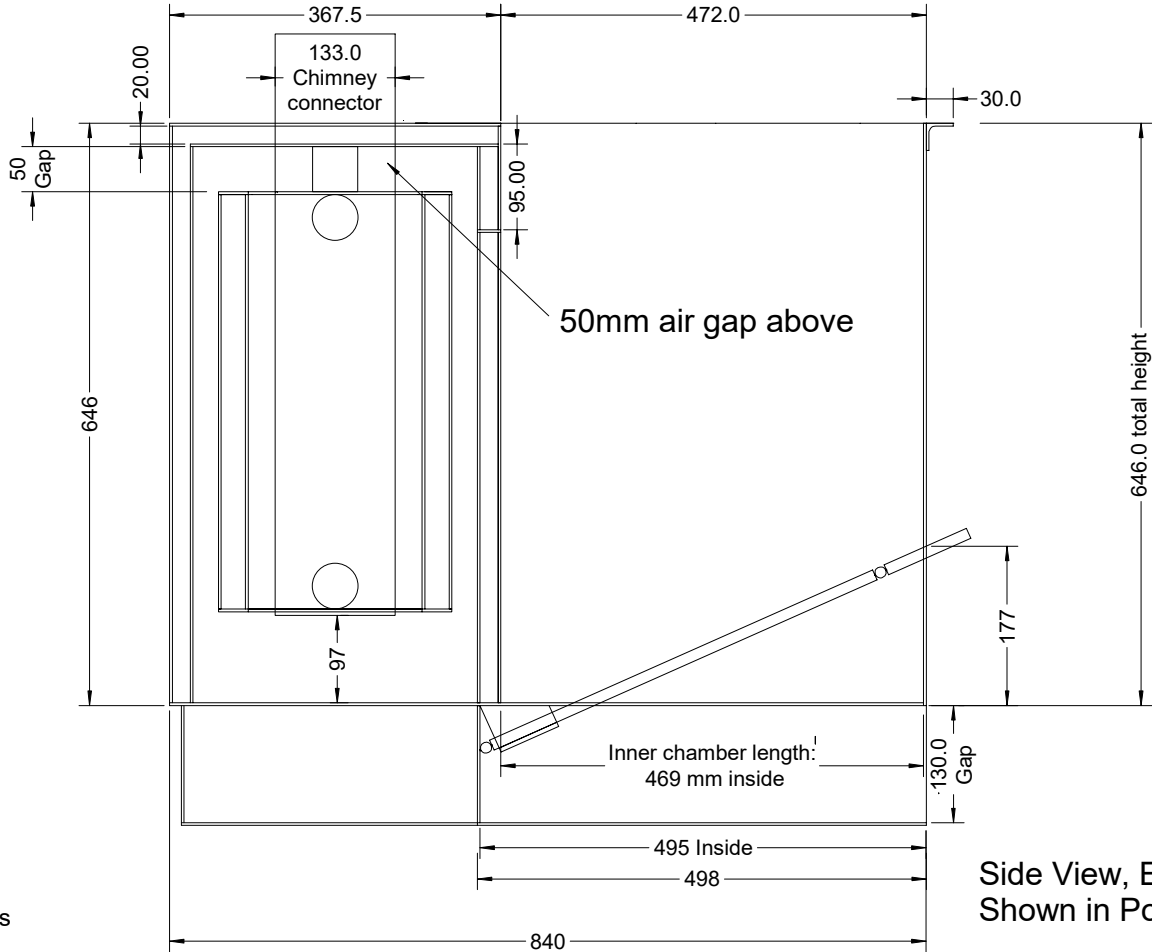
2 end caps, 3mm steel

The pair of tubes is connected to the inner wall with 4 short pipes 50.6 mm in diameter. Angle the top two slightly upwards to drain any air

1 square tube 259x259 outside, 460mm tall, 3mm wall  
1 square tube 199x199 outside, 460mm tall, 3mm wall  
Ends welded shut, top and bottom  
Free space inside is 193mm square



50.8mm tube, 3mm wall  
38mm long  
4 pieces  
Connects big tube to side walls



Side View, End Plates Shown in Position