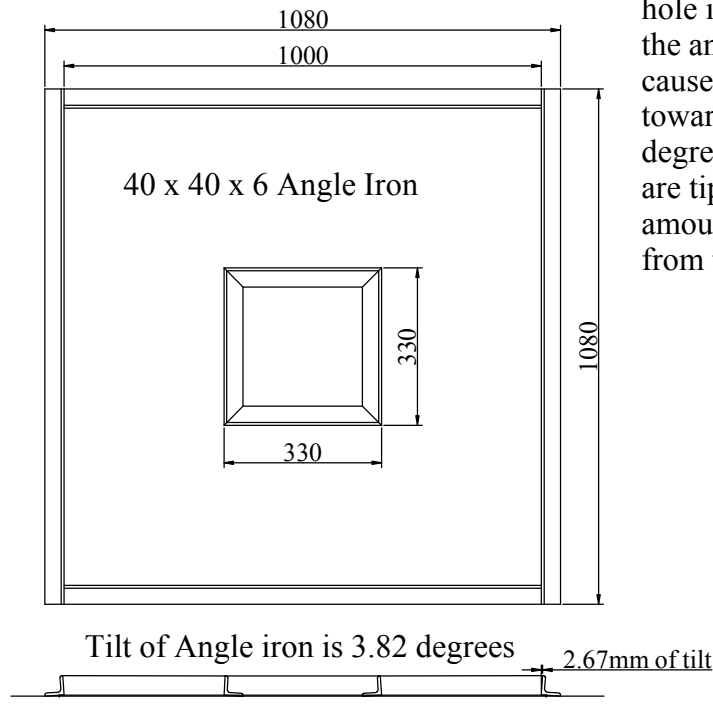


LION STOVE THIN CEMENT SLAB FORM

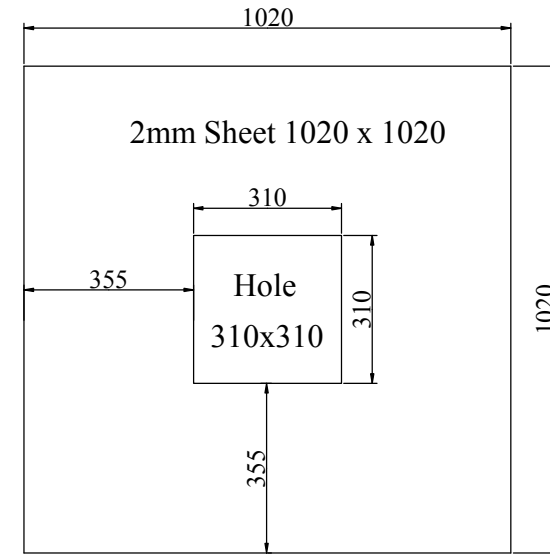
For use with bricks 225 x 108 x 74 only, i.e. when there are no pavers available.

31 July 2006

C Pemberton-Pigott
 crispin.p@newdawnengineering.com



The central hole is formed by 4 angle iron pieces which are tipped inwards so the cast slab can be pulled off the form. Note that the hole in the sheet is 310 x 310, but the angle irons are 330 x 330. This causes the angle iron to tip 'inwards' towards the centre at the top about 4 degrees. Similarly the outer walls are tipped outwards by the same amount so as to release the slab from the mould easily.



Frame from 25.4 Sq Tube

