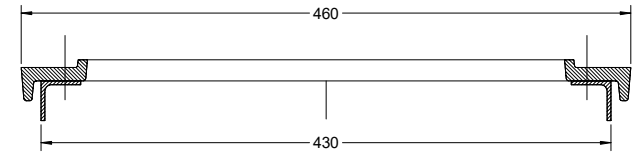
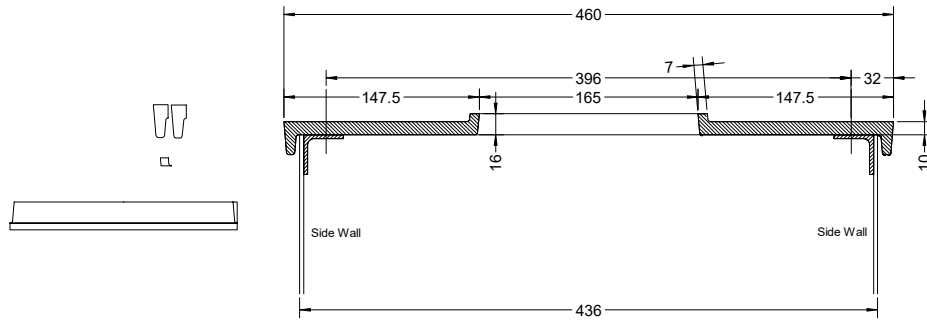
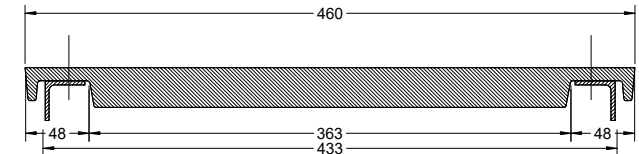


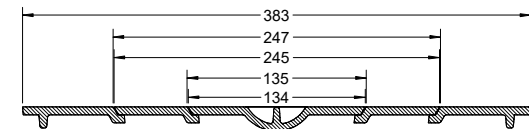
Cast Iron 1 Side views



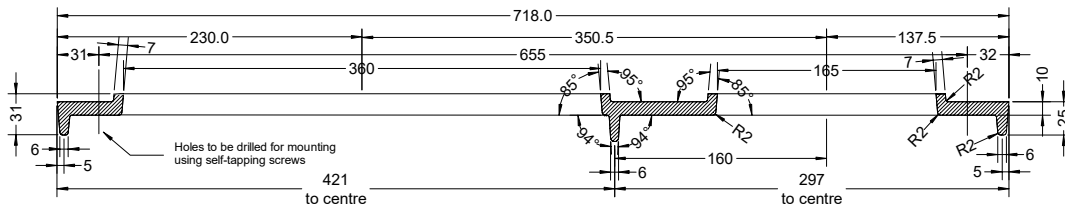
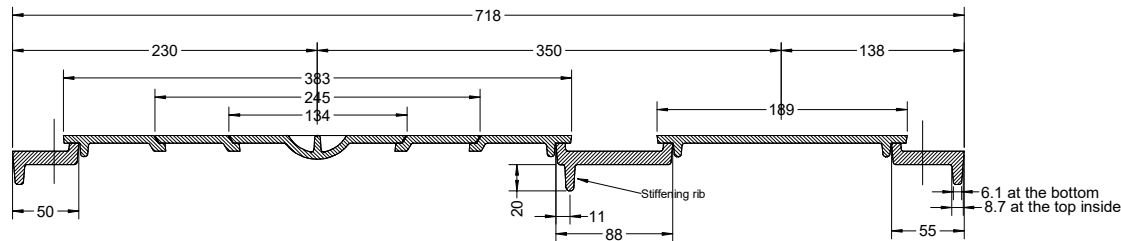
Section through the cooking hole



Section through the stiffening rib



Section through the cooking plates



Dwg. MN4.1.02.09

Model MN4
Version 1.02
5 Oct 2017

C Pemberton-Pigott

