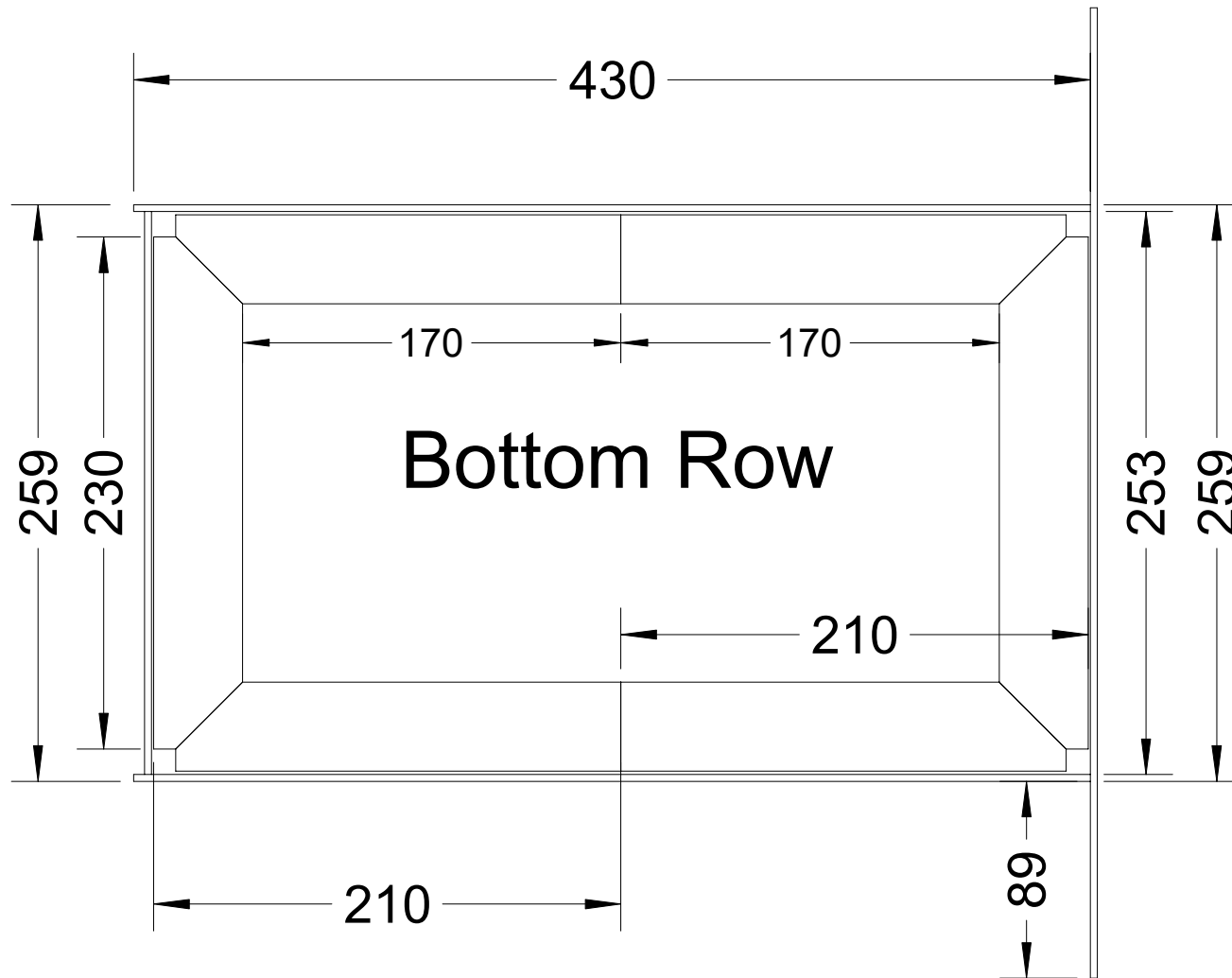


Bricks Bottom Row

Dwg. MN4.1.02.19



Model 4 A and B
Version 1.02
26 Sept 2017

C Pemberton-Pigott