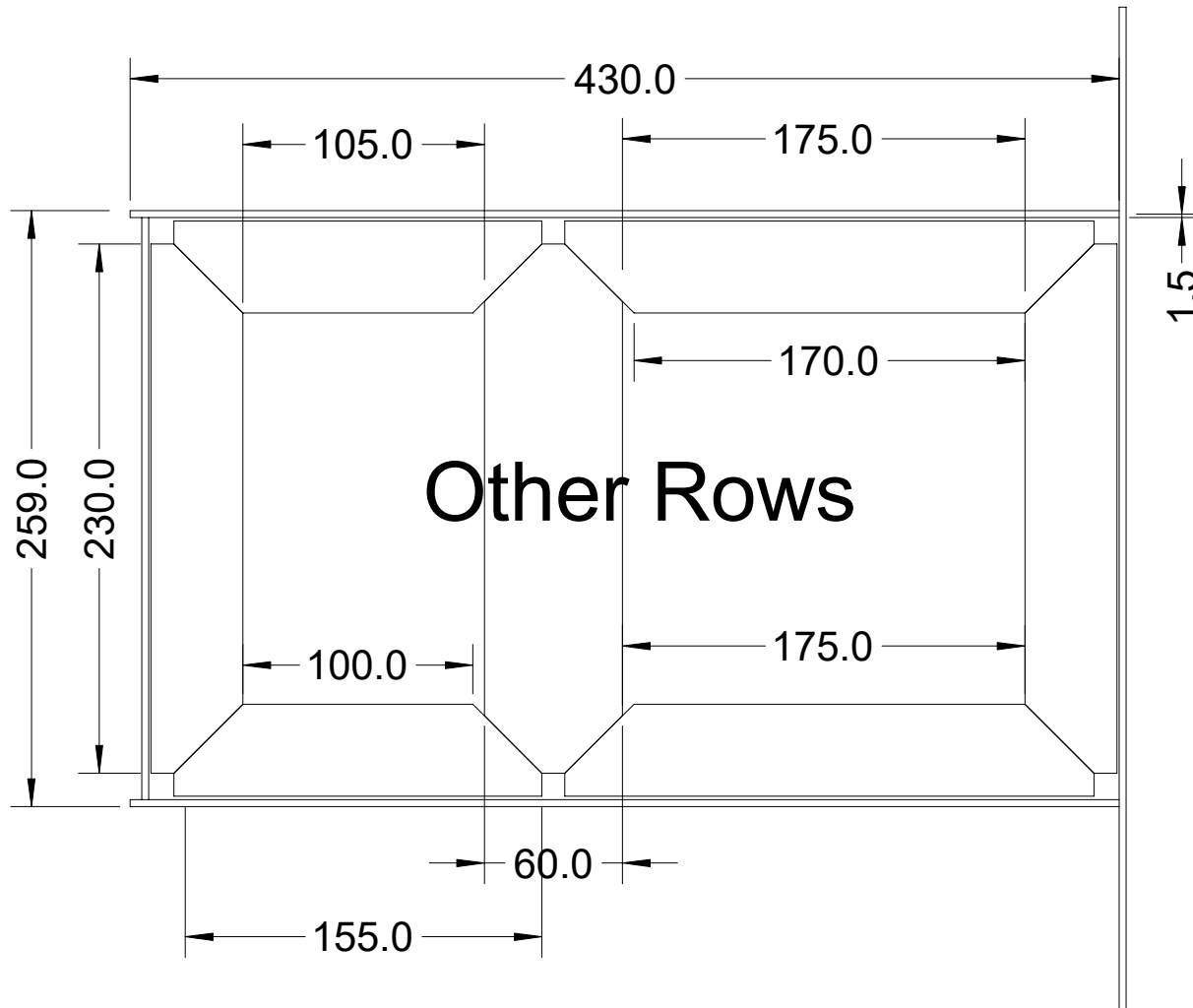


Bricks, Other Rows

Dwg. MN4.1.02.20



Model MN4
Version 1.02
26 Sept 2017

C Pemberton-Pigott