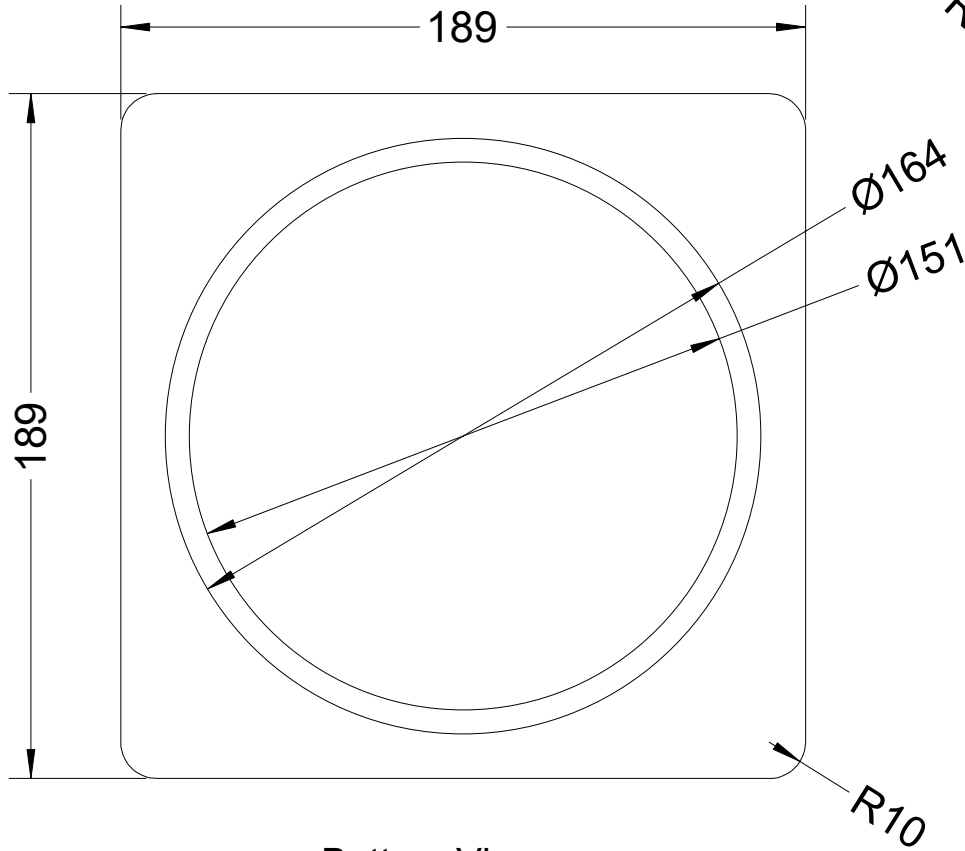
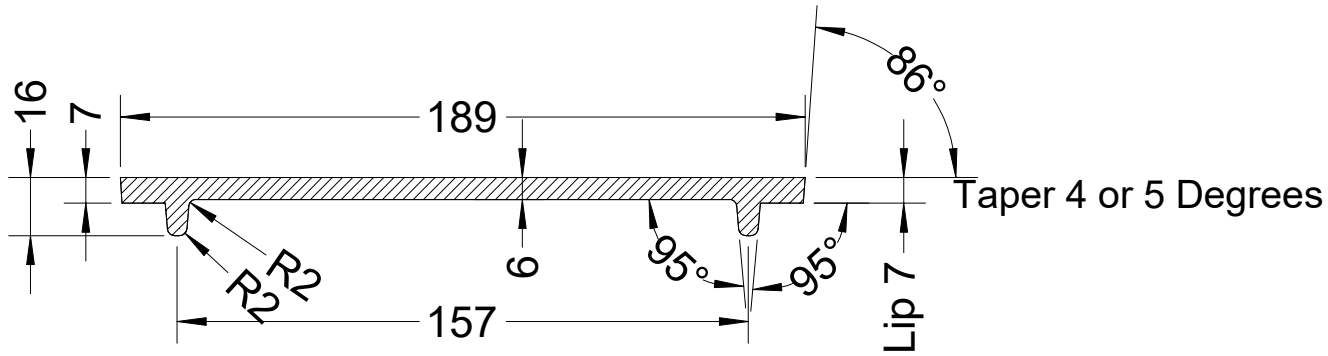


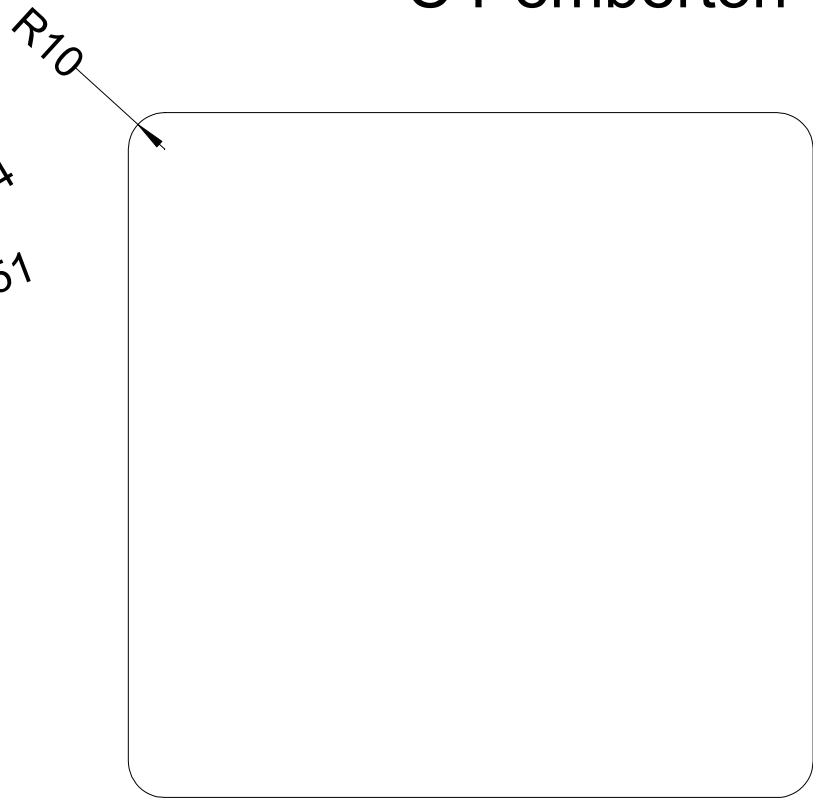
Hopper cover

Dwg. MN4.2.00.14

Model MN4
Version 2.00
2018-Feb-16



Bottom View



Top View

C Pemberton-Pigott