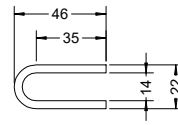
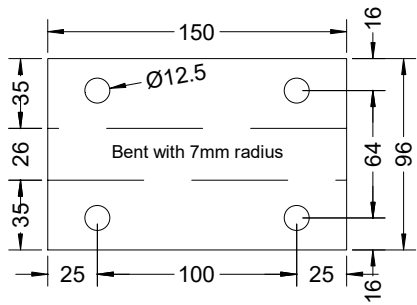
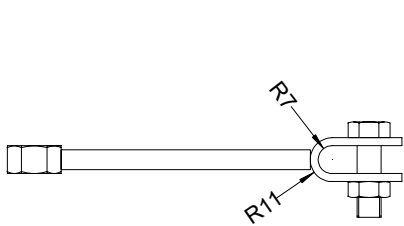
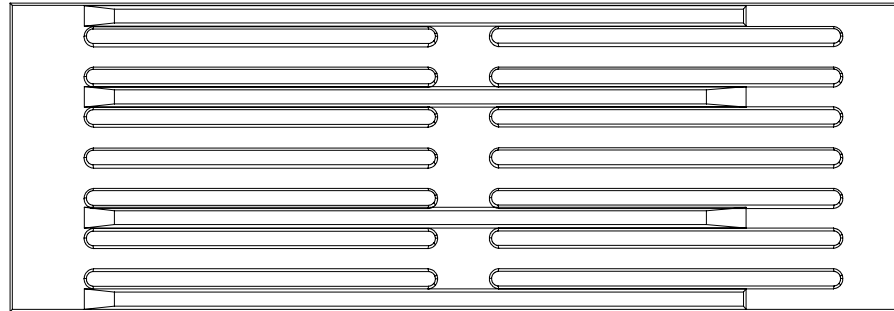
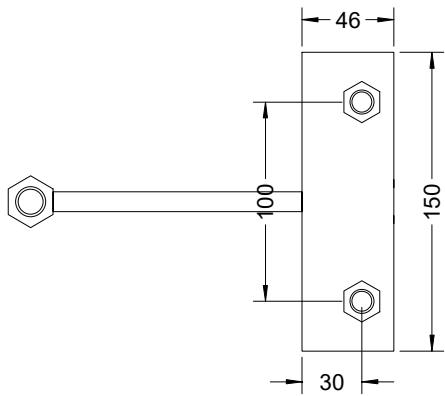


Dwg. MN4.2.00.22



After bending



Model MN4
Version 2.00
2018-Feb-16

C Pemberton-Pigott

Cast Iron Grate 2