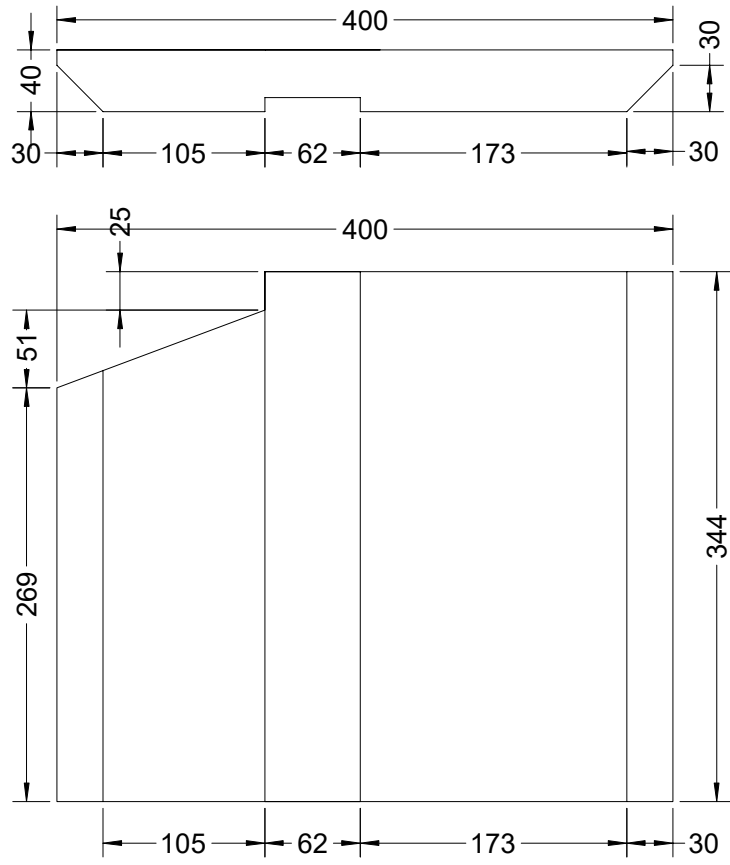
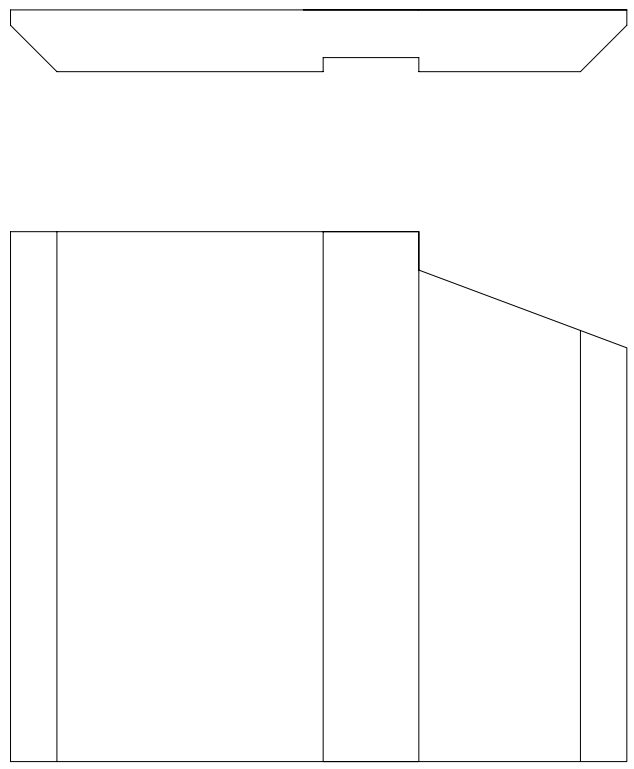


Ceramic Part 8



Ceramic Part 9



Dwg. MN4.2.00.36

Model MN4
Version 2.00
2018-Feb-16

C Pemberton-Pigott

Upper Sides