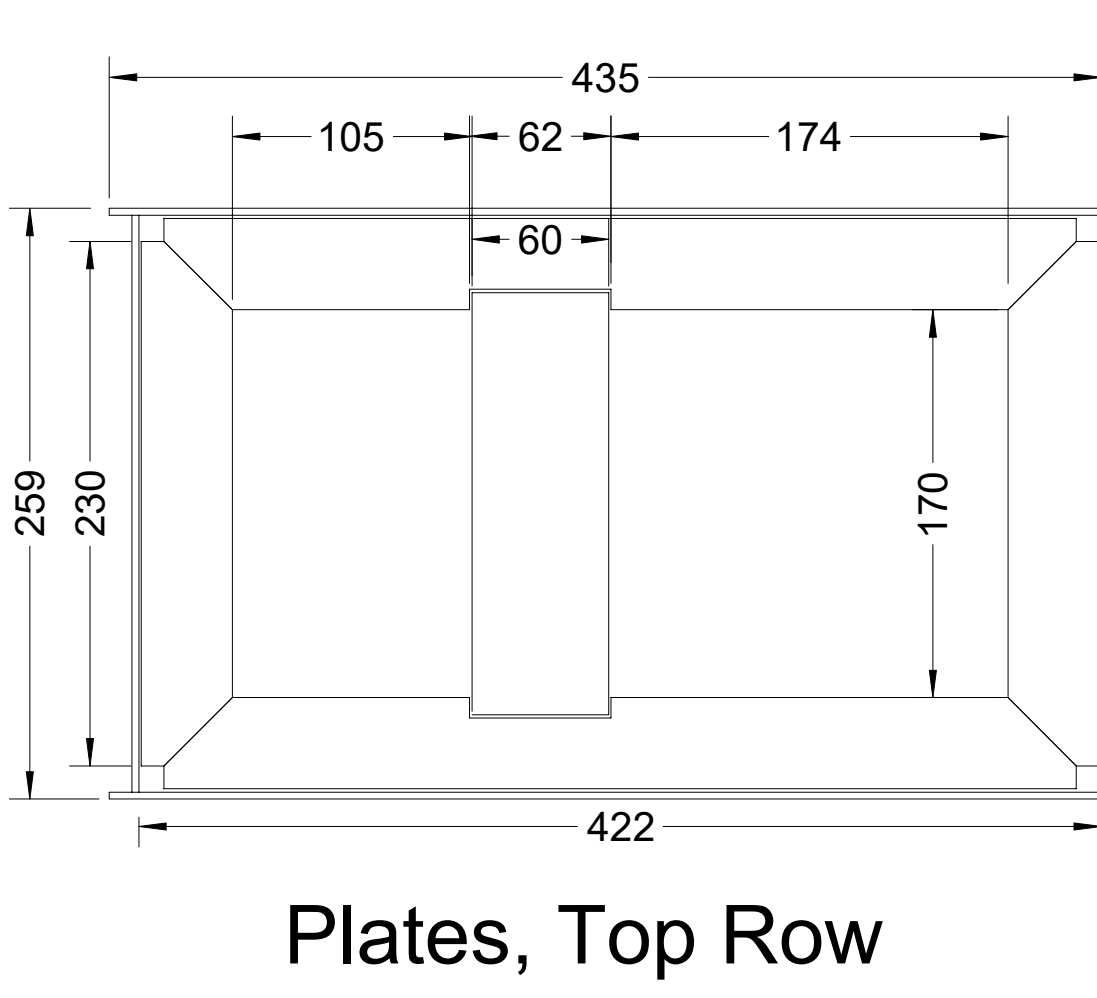


Dwg. MN4.2.00.42

Model MN4
Version 2.00
2018-Feb-16

C Pemberton-Pigott

Placement of the
top plates



Plates, Top Row