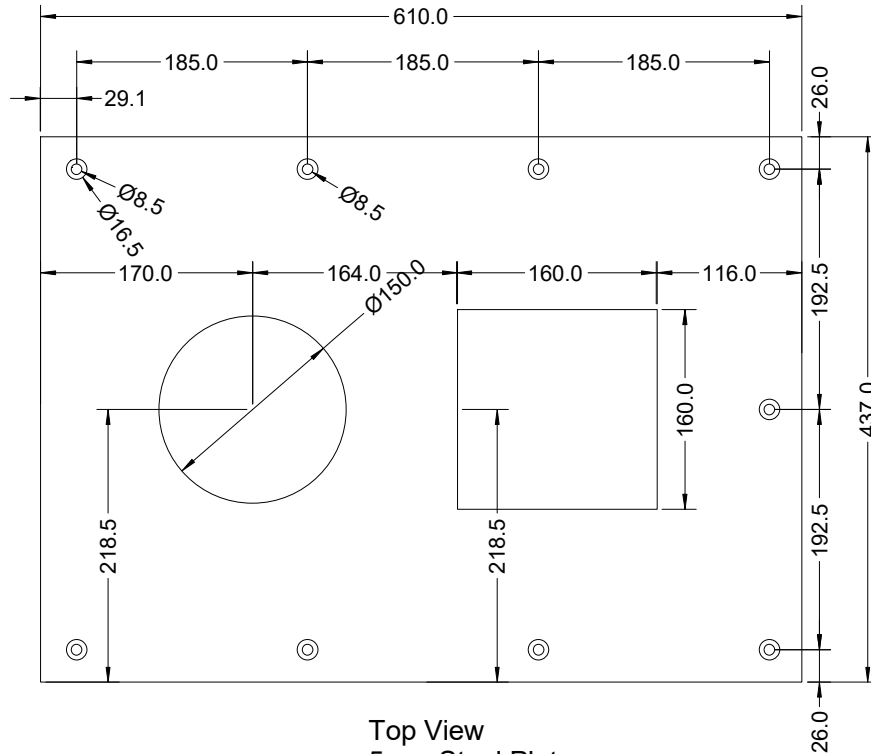


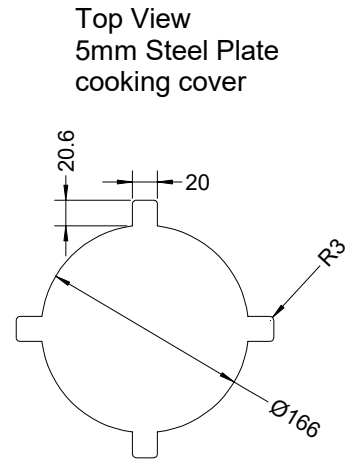
KG5.2.1.0.18 Steel Top

Model MN5.2
Version 1.0
30 Jan 2018

C Pemberton-Pigott

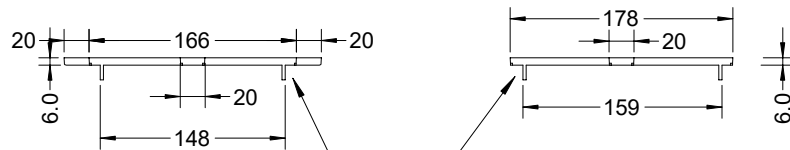
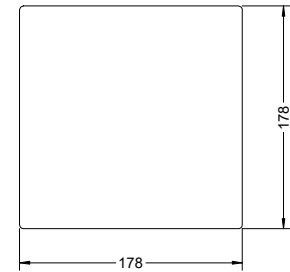


Top View
5mm Steel Plate



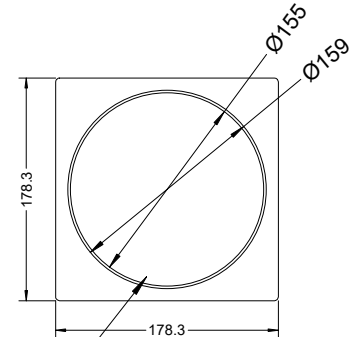
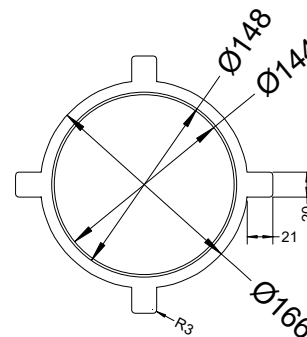
Top View
5mm Steel Plate
cooking cover

Top View
5mm Steel Plate
fuel cover



Cut strip 20mm x 2 to make a circular brace under the lids.

The lid must fit loosely in the hole because it will get very hot and expand,



Weld the brace on the inside only