

FRONT ASH DRAWER

Cut and bend

MN5.3.3.1.09 Ash Drawer - BEND

3mm Steel Sheet

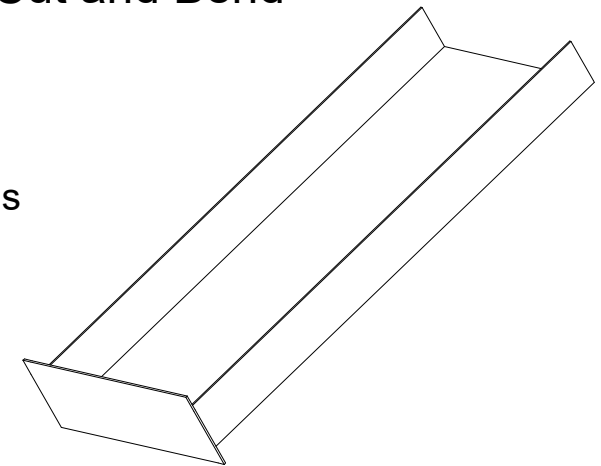
Model MN5.3

Version 3.1

2018-06-21

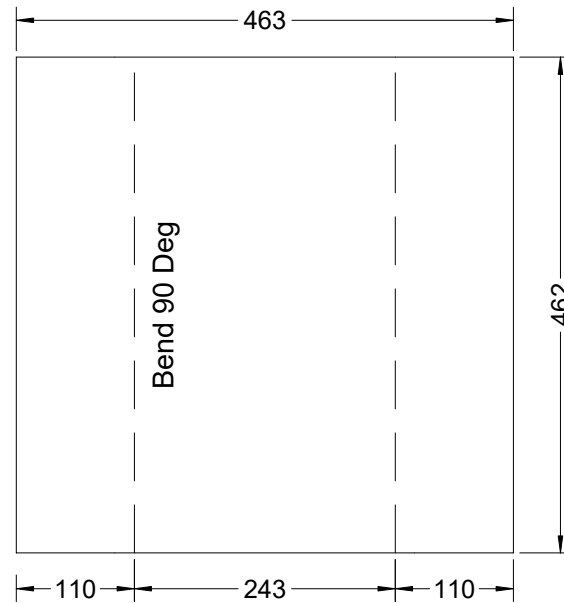
C Pemberton-Pigott

Cut and Bend

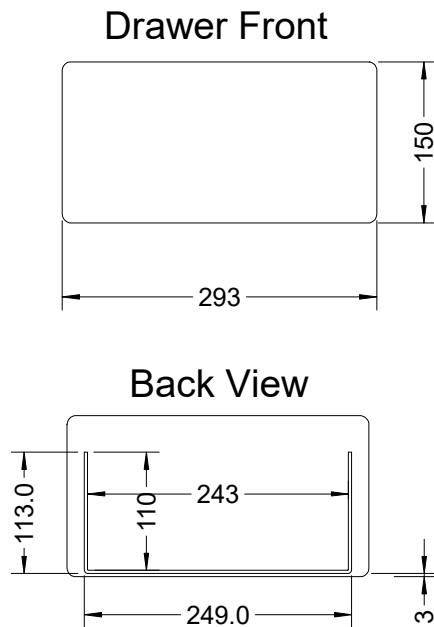


Add any suitable handle

B

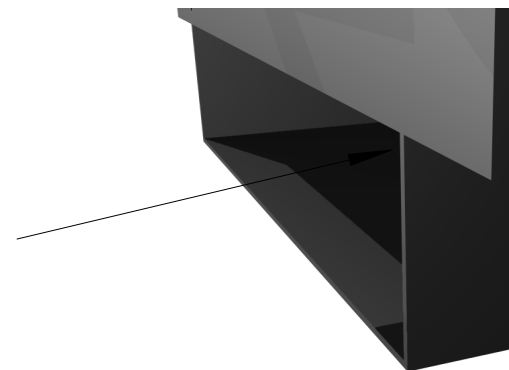


A



The bottom of drawer body is 3mm above the bottom of the Drawer front

Outside dimensions
443 x 285 x 123
(plus the handle)



****Important****

The Ash Drawer Housing must be mounted so the open end is flush with the end of the stove body, not recessed. The drawer front must completely close air gaps so no air can enter around the ash drawer.