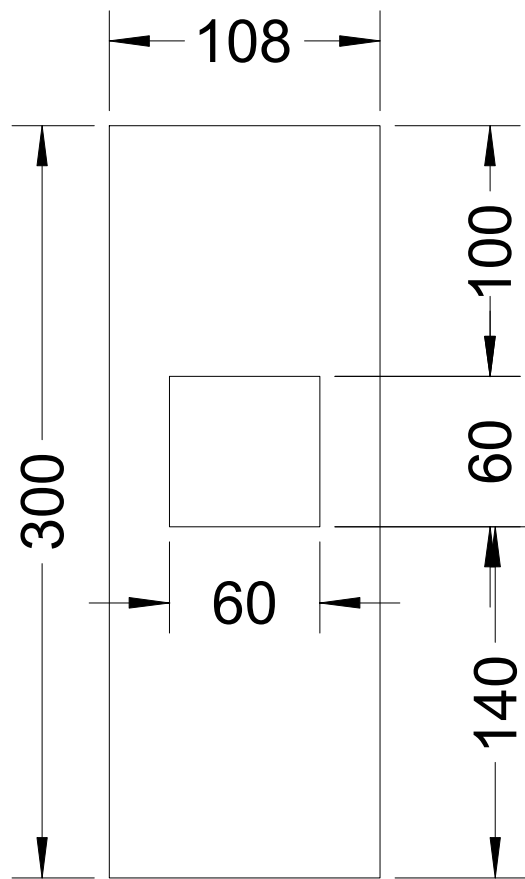
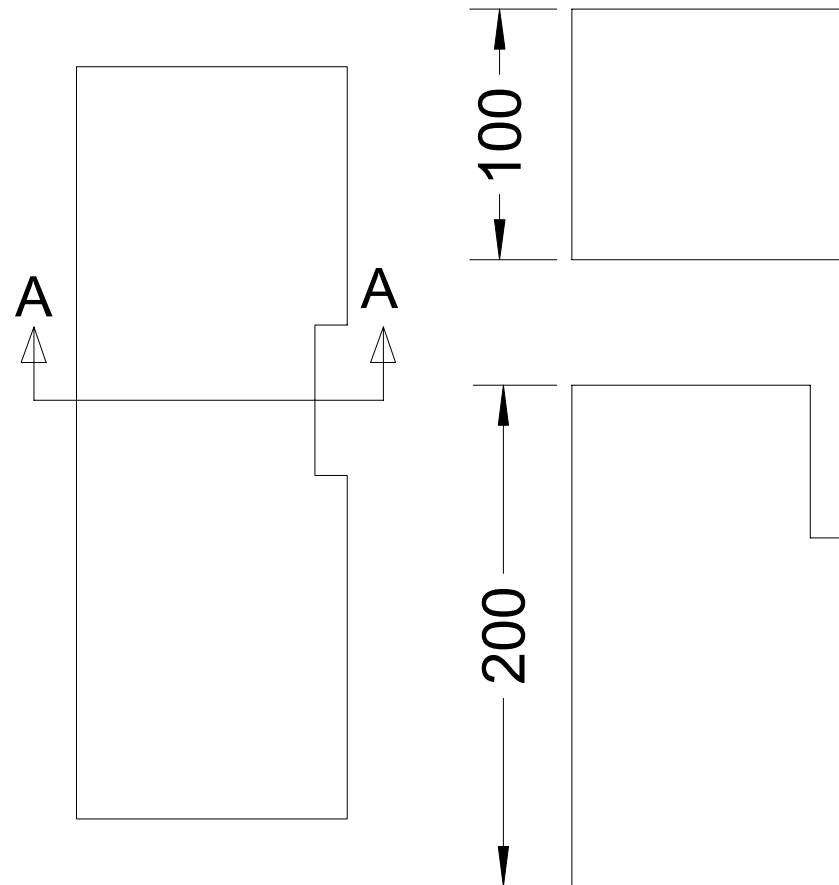


Made from one tube

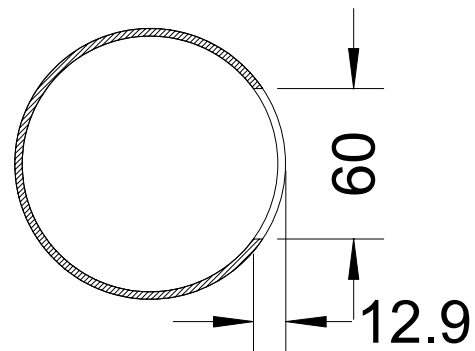


Optional:
Make two parts



Chimney
connector
on top

Draft tube
Weld under the
chimney connector



Section A-A

Safed Garmi
Model 2 A and B
Version 1.4
2016-10-08

C Pemberton-Pigott

Dwg. TJ2-1.4-08

Chimney Connector