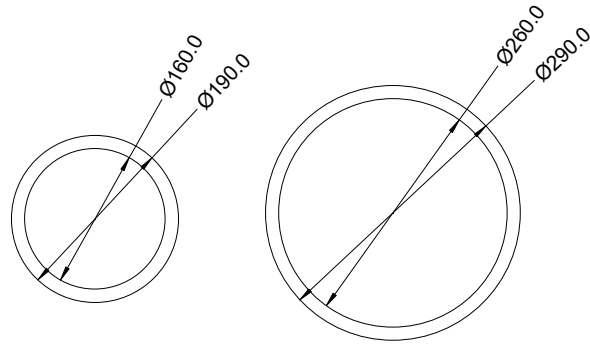


Dwg. TJ4-1.4-05

Model 4 A and B
Version 1.4
26 Sept 2016

C Pemberton-Pigott

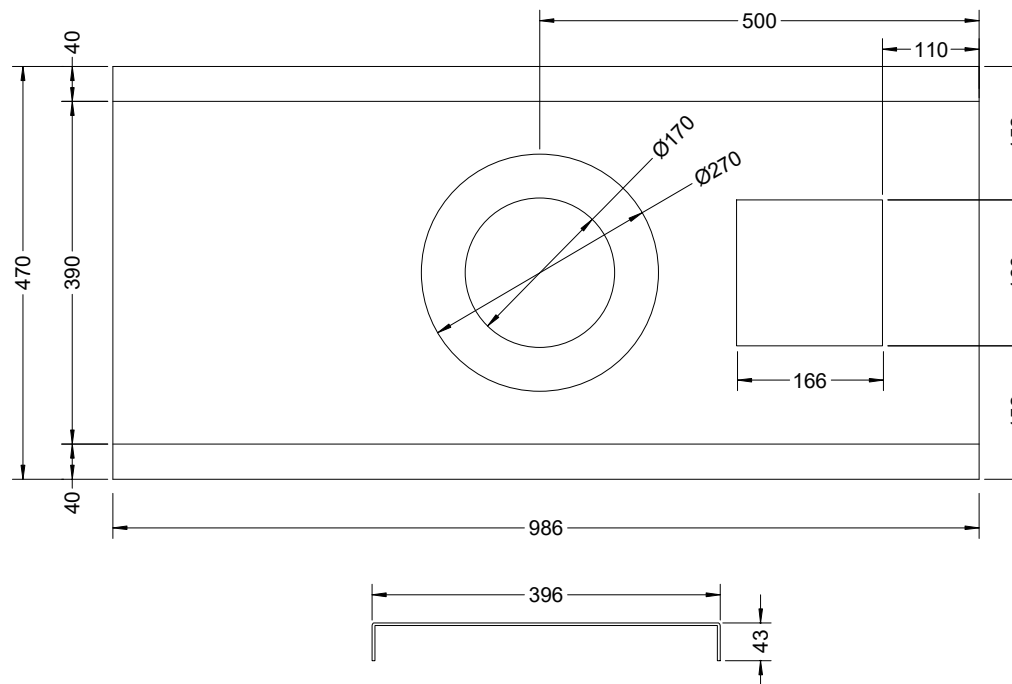


Rings to support the cut-outs
2 TO 3 mm thick

Model 4.1 A and B
Version 1.4
16 Sept 2016

Outside dimensions

C Pemberton-Pigott



Bend 90 degrees each side

40

900